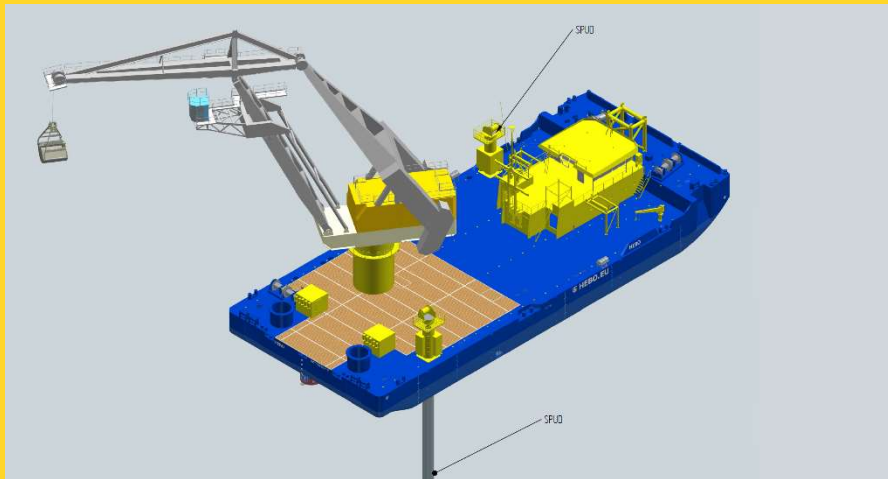


# HEBO-Cat 18



## Seagoing barge with Lemniscate crane



### Recap:

Unique combination of high capacity transshipment crane on seagoing vessel with thrusters, telescopic spud poles, anchor winches and 8pax accommodation. Perfect for fast and efficient transshipment of bulk and mixed cargo inshore and nearshore.

### Ship particulars:

Ship Type:	Multipurpose (crane) barge with assisted propulsion
Class:	Bureau Veritas:  Hull  Mach, Register Holland: Estrin
Flag:	Netherlands
IMO Number:	9829019
Call sign:	PCFA GT 1729
LSA:	12 pax, MOB boat

### Hull particulars:

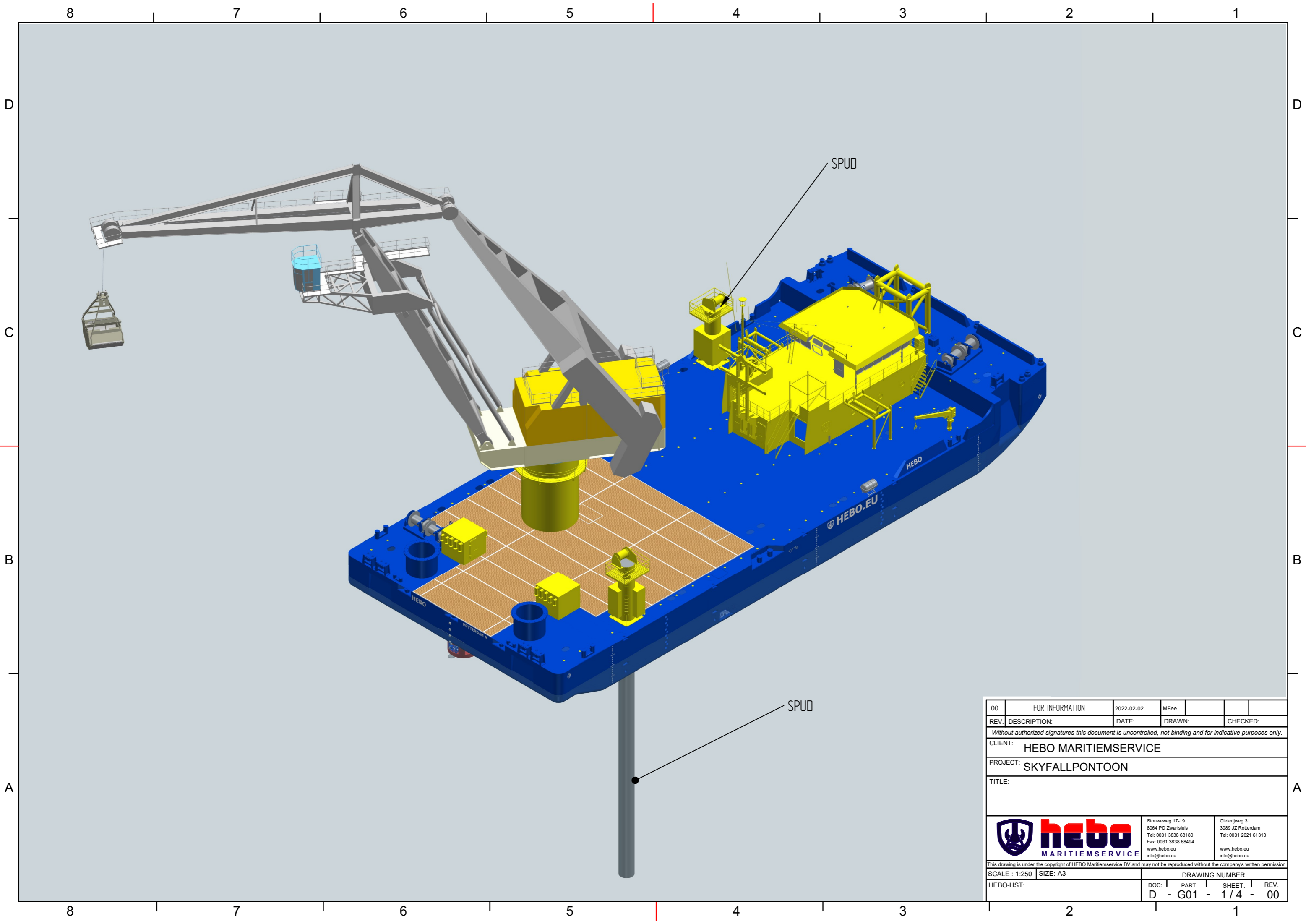
Overall length:	55,4 m	Builder:	De Groot Marine services BV
Breadth:	23,8 m	Date of build:	2016
Depth:	4 m	Hull material:	Steel
Deck capacity:	12,5t/m <sup>2</sup>	Hull info:	Partly double hull, partly single hull,
Free deck space:	700m <sup>2</sup>		4 watertight compartments & 1 continus deck


### Machinery:

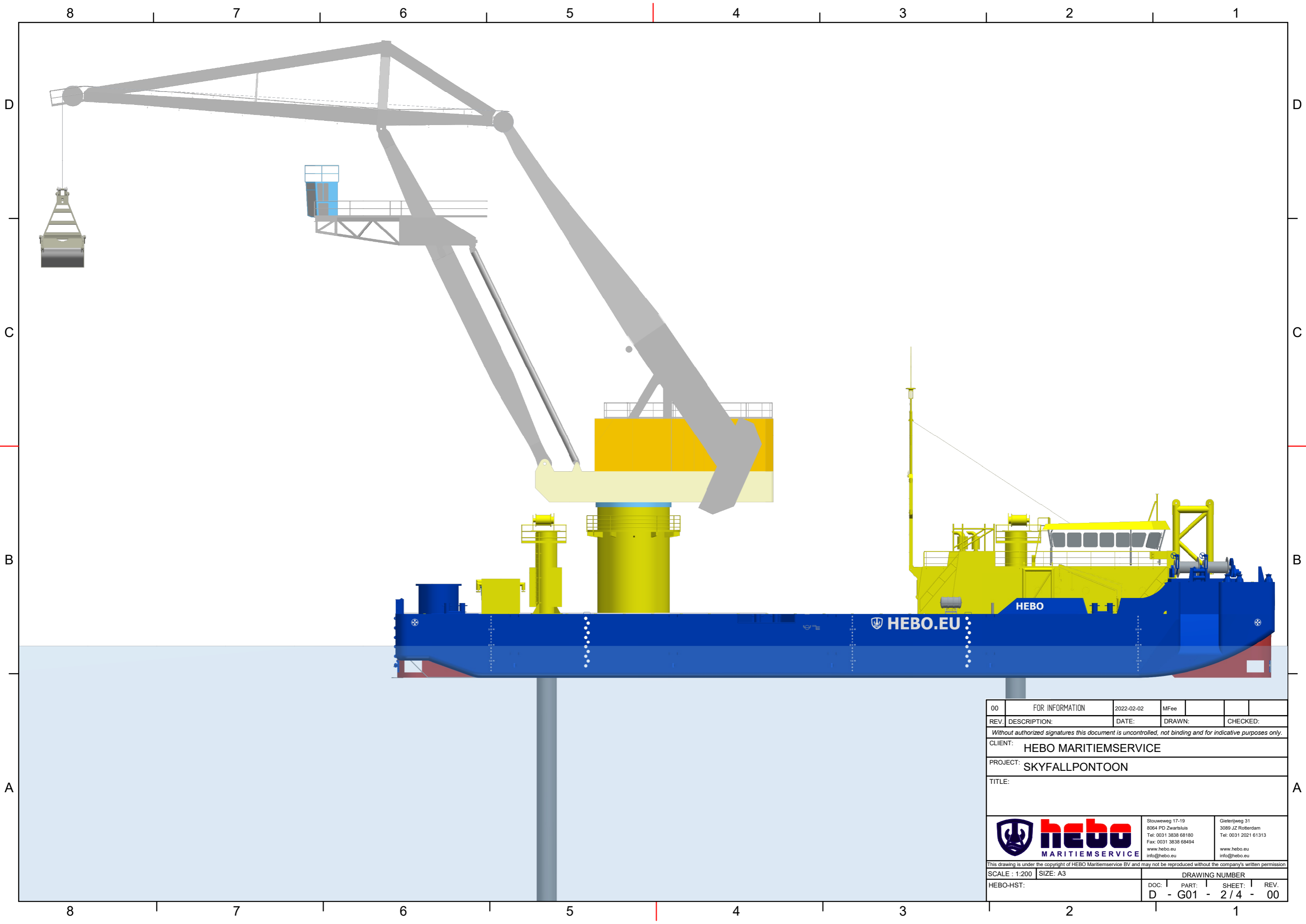
Propulsion type:	Electric, 1 forward thruster, 1 aft thruster
Total power:	1000 kW
Speed:	5 kn
Elec. installation:	1 genset 230 kVA, 400V, 50 Hz, CCR II, IMO Tier 2 2 genset 665 kVA, 440V, 60 Hz, CCR II, IMO Tier 2 150 kW battery pack Frequency converter 200 kW
Alarm & monitoring:	Praxis alarm & monitoring, unmanned machineroom
Ballast:	Semi automatic 1200 m <sup>3</sup> /hour ballast system, full automatic anti heeling system
Navigation:	4x Vhf, Radar, Ecdis, Navtex, AIS

### Aux. equipment:

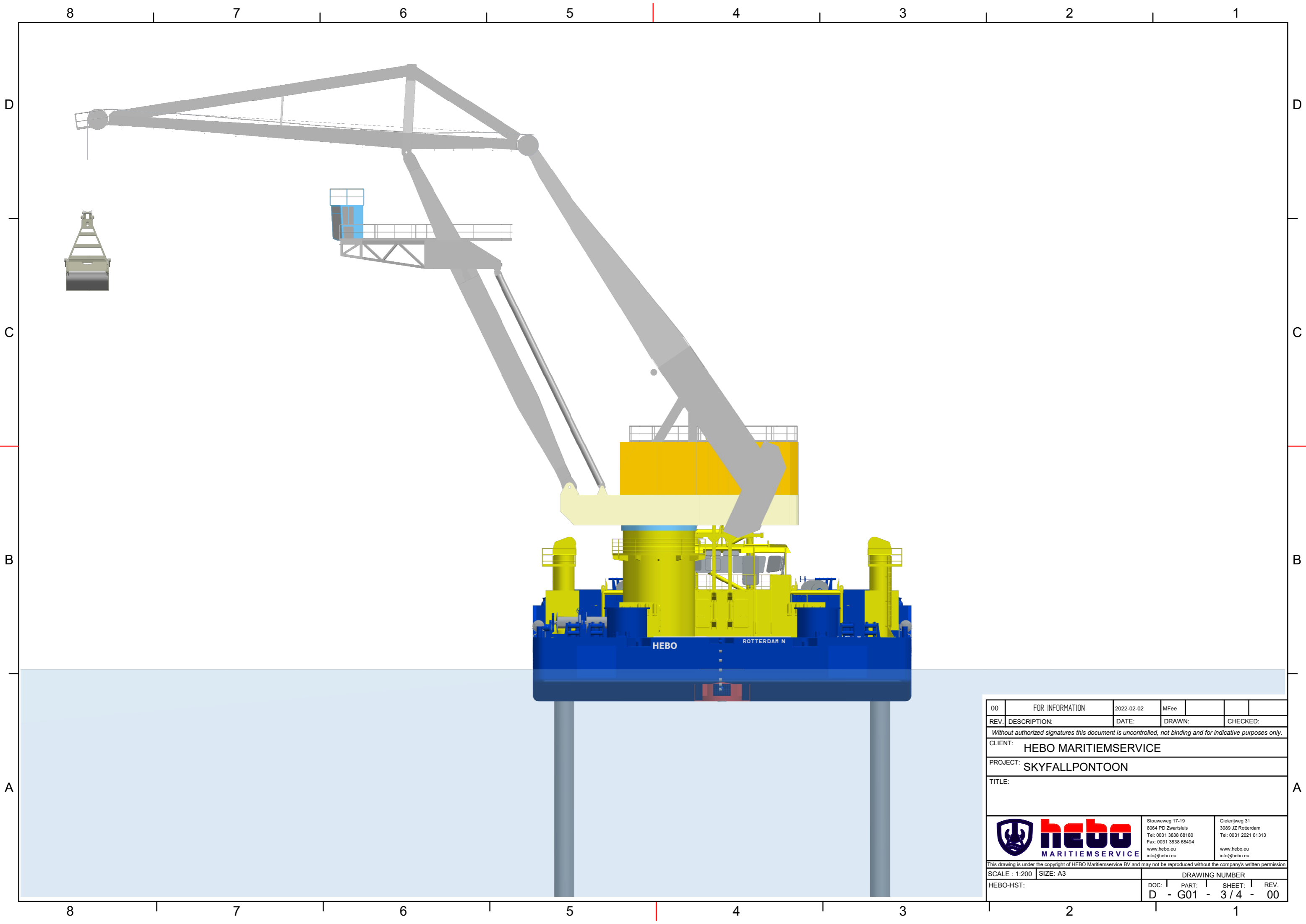
Mooring:	Telescopic spud legs 30 m length, 8 point anchor spread
Living/office quarters:	prepared to take up to 4 living/office quarters on deck




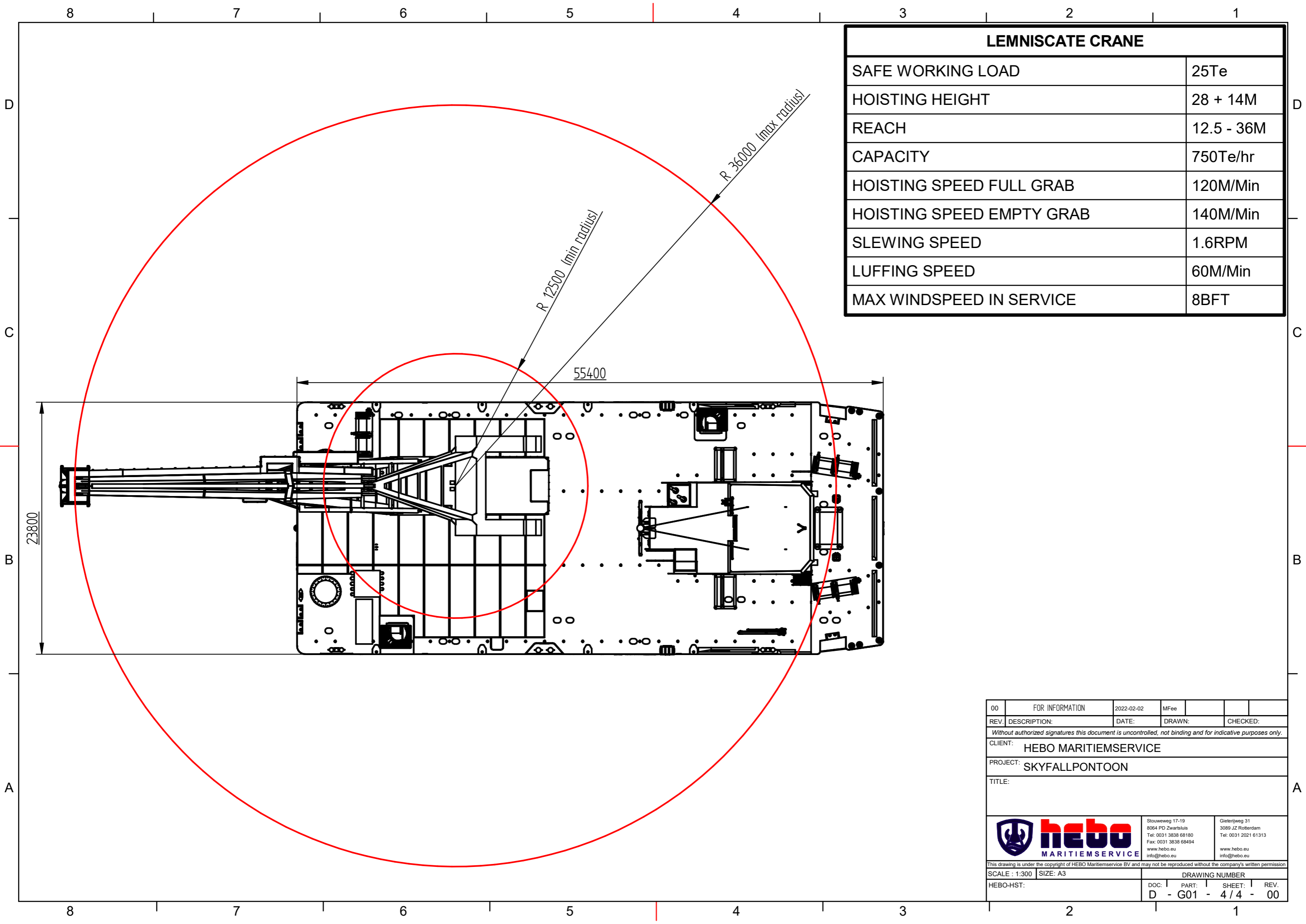
00	FOR INFORMATION	2022-02-02	MFee		
REV.	DESCRIPTION:	DATE:	DRAWN:	CHECKED:	
Without authorized signatures this document is uncontrolled, not binding and for indicative purposes only.					
CLIENT: HEBO MARITIEMSERVICE					
PROJECT: SKYFALLPONTON					
TITLE:					
		Stouweweg 17-19 8064 PD Zwartsluis Tel: 0031 3838 68180 Fax: 0031 3838 68494 www.hebo.eu info@hebo.eu		Gieterijweg 31 3089 JZ Rotterdam Tel: 0031 2021 61313 www.hebo.eu info@hebo.eu	
This drawing is under the copyright of HEBO Maritiemservice BV and may not be reproduced without the company's written permission					
SCALE : 1:250		SIZE: A3		DRAWING NUMBER	
HEBO-HST:			DOC:	PART:	SHEET: REV.
			D	- G01 -	1 / 4 - 00



00	FOR INFORMATION	2022-02-02	MFee		
REV.	DESCRIPTION:	DATE:	DRAWN:	CHECKED:	
<i>Without authorized signatures this document is uncontrolled, not binding and for indicative purposes only.</i>					
CLIENT: HEBO MARITIEMSERVICE					
PROJECT: SKYFALLPONTOON					
TITLE:					
		Stouweweg 17-19 8064 PD Zwartsluis Tel: 0031 3838 68180 Fax: 0031 3838 68494 www.hebo.eu info@hebo.eu		Gieterijweg 31 3089 JZ Rotterdam Tel: 0031 2021 61313 www.hebo.eu info@hebo.eu	
This drawing is under the copyright of HEBO Maritiemservice BV and may not be reproduced without the company's written permission					
SCALE : 1:200		SIZE: A3		DRAWING NUMBER	
HEBO-HST:			DOC:	PART:	SHEET: REV.
			D - G01	- 2 / 4	- 00



00	FOR INFORMATION	2022-02-02	MFee		
REV.	DESCRIPTION:	DATE:	DRAWN:	CHECKED:	
<i>Without authorized signatures this document is uncontrolled, not binding and for indicative purposes only.</i>					
CLIENT: HEBO MARITIEMSERVICE					
PROJECT: SKYFALLPONTON					
TITLE:					
		Stouweweg 17-19 8064 PD Zwartsluis Tel: 0031 3838 68180 Fax: 0031 3838 68494 www.hebo.eu info@hebo.eu		Gieterijweg 31 3089 JZ Rotterdam Tel: 0031 2021 61313 www.hebo.eu info@hebo.eu	
This drawing is under the copyright of HEBO Maritiemservice BV and may not be reproduced without the company's written permission					
SCALE : 1:200		SIZE: A3		DRAWING NUMBER	
HEBO-HST:			DOC:	PART:	SHEET: REV.
			D	- G01 -	3 / 4 - 00



LEMNISCATE CRANE	
SAFE WORKING LOAD	25Te
HOISTING HEIGHT	28 + 14M
REACH	12.5 - 36M
CAPACITY	750Te/hr
HOISTING SPEED FULL GRAB	120M/Min
HOISTING SPEED EMPTY GRAB	140M/Min
SLEWING SPEED	1.6RPM
LUFFING SPEED	60M/Min
MAX WINDSPEED IN SERVICE	8BFT

00	FOR INFORMATION	2022-02-02	MFee		
REV.	DESCRIPTION:	DATE:	DRAWN:	CHECKED:	
<i>Without authorized signatures this document is uncontrolled, not binding and for indicative purposes only.</i>					
CLIENT: HEBO MARITIEMSERVICE					
PROJECT: SKYFALLPONTON					
TITLE:					
		Slouweweg 17-19 8064 PD Zwartsluis Tel: 0031 3838 68180 Fax: 0031 3838 68494 www.hebo.eu info@hebo.eu		Gieterijweg 31 3089 JZ Rotterdam Tel: 0031 2021 61313 www.hebo.eu info@hebo.eu	
This drawing is under the copyright of HEBO Maritiemservice BV and may not be reproduced without the company's written permission					
SCALE : 1:300		SIZE: A3		DRAWING NUMBER	
HEBO-HST:			DOC:	PART:	SHEET: REV.
			D - G01	- 4 / 4 -	00

## Galley



## messroom



## Sleeping cabin, 4 in total, 8 bunks



## Bridge deck, forward view



## chart tabel, office



## Bridge deck aft view



## Bathroom in accommodation

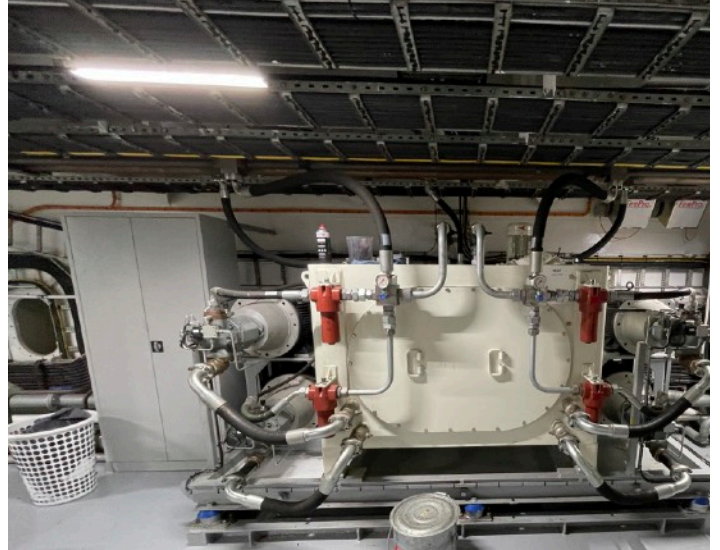


## Laundry-/changing room with showers and toilet

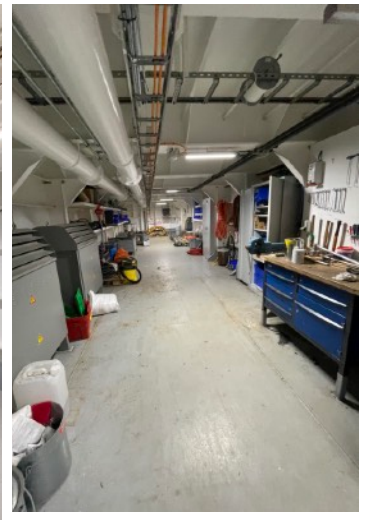




## Machineroom, generators in silent packs



## Stores, rigging storage, workshop



## E-room, pump room

